



**LENNOX**  
Innovation never felt so good.®

*sensibly comfortable*

**MERIT** SERIES



**CBX25UHV**

High-value,  
high-efficiency  
air handler

# Comfortable in your home, comfortable on your budget.

As the indoor component of your home heating and cooling system, the CBX25UHV is a **hardworking, efficient and reliable source of year-round comfort**. Since it's part of Lennox' Merit® Series, it offers a solid combination of excellent performance, smart energy use and quality construction. Its variable speed motor means you'll enjoy consistent temperatures and steady, even airflow throughout your home, while the insulated cabinet reduces sound levels for peace and quiet.

## The benefits of variable speed

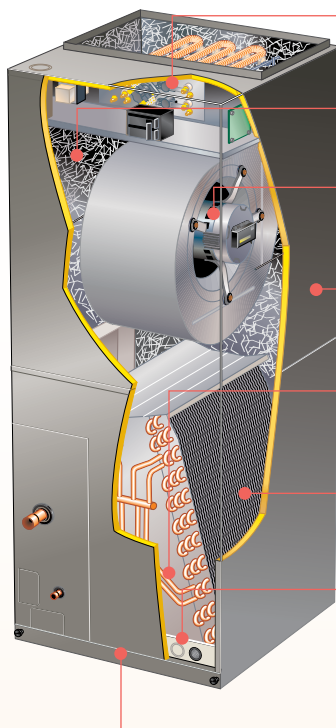
One of the most outstanding features of the CBX25UHV is its variable speed motor. Unlike conventional blower motors that are either all the way on or all the way off, the CBX25UHV's motor can adjust the rate at which it delivers air. This allows the CBX25UHV to start the airflow slowly—providing quieter operation, maximizing energy efficiency and helping to reduce utility bills. This slower startup also allows the CBX25UHV to remove more humidity from the air, and bring the air to the right temperature before circulating it at full speed.

10-year limited warranty on the covered components.\*



\*Online equipment registration at [www.lennoxregistration.com](http://www.lennoxregistration.com) is required within 60 days of installation (except in California and Quebec) or Lennox' base warranty will apply. Applies to residential applications only. See actual warranty certificate for details.

## Everything you need for perfect comfort



**Optional Electric Heat** – Provides supplemental heat for added comfort.

**Fully Insulated Cabinet** – Reduces sound for quiet operation.

**Variable Speed Motor** – Delivers more consistent temperatures and better humidity removal.

**Durable Steel Cabinet** – Made to last with an attractive, high-quality, textured-paint finish.

**Sleeved Distributor Tubes** – Protect copper tubes to prevent leaking.

**High-Efficiency Evaporator Coil** – Provides exceptional heat transfer and efficiency.

**Antimicrobial Drain Pan** – Includes an antimicrobial agent that inhibits mold and mildew growth and is made of a durable composite material that won't corrode or rust.

**Efficient Check and Expansion Device** – Ensures efficiency across a wide range of operational conditions. (Factory-installed on the CBX25UHV.)

## Merit® Series CBX25UHV Specifications

Model	018	024	030	036	042	048	060
<b>Dimensions</b>							
HxWxD (in)	38 x 15 x 22	40-1/2 x 18-1/2 x 22	43 x 18-1/2 x 22	48 x 21-7/8 x 22	48 x 21-7/8 x 26	52-1/2 x 21-7/8 x 26	52-1/2 x 21-7/8 x 26
HxWxD (mm)	965 x 381 x 559	1029 x 470 x 559	1092 x 470 x 559	1219 x 556 x 559	1219 x 556 x 660	1334 x 556 x 660	1334 x 556 x 660

**Note:** Due to Lennox' ongoing commitment to quality, all specifications, ratings and dimensions are subject to change without notice.



*Innovation never felt so good.®*

For a complete list of the registered and common law trademarks owned by Lennox Industries Inc., please visit [www.lennox.com](http://www.lennox.com).